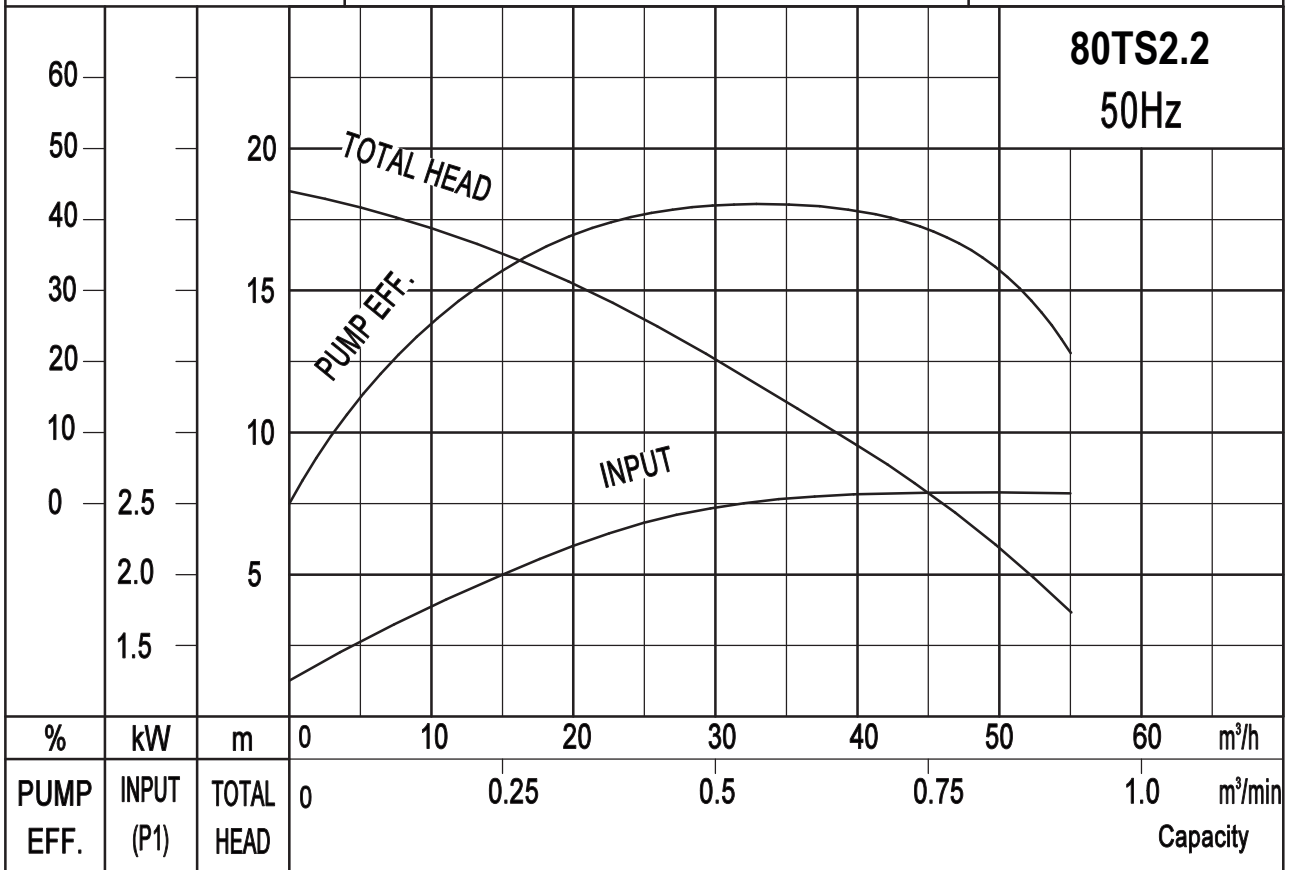


PUMP PERFORMANCE CURVES

TYPE: SUBMERSIBLE DRAINAGE PUMP		MODEL: 80TS2.2	FREQUENCY: 50Hz
STANDARD SPECIFICATIONS			
DISCHARGE BORE	80 mm		
HEAD	Max: 18.5 m	Rated: 11 m	
CAPACITY	Max: 0.92 m ³ /min	Rated: 0.6 m ³ /min	
MOTOR OUTPUT	2.2 kW		
PHASE x VOLTAGE	3 Øx 400 V		
CURRENT	5.0 A		
POLES/REVOLUTION	2 P/ S.S.2850 min ⁻¹		
STARTING METHOD	Direct-on-line start		
INSULATION CLASS	F		

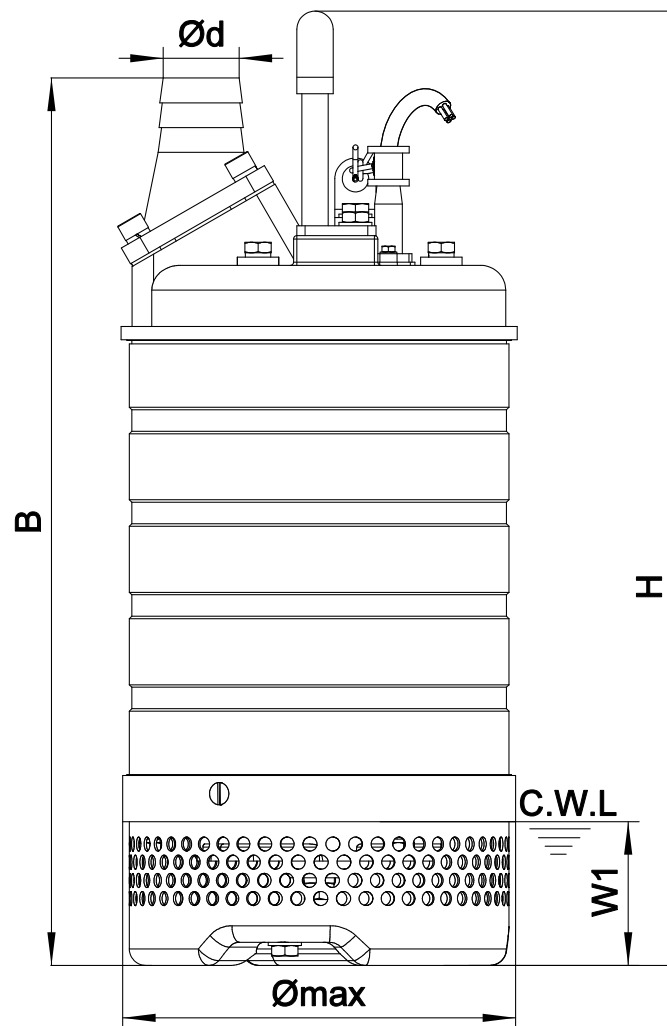


SOLIDPUMP EUROPE SIA

DIMENSION DRAWING

TYPE: SUBMERSIBLE DRAINAGE PUMP

MODEL: 80TS2.2



W1: Continuous running water level

Model	H	B	Ømax	W1
50TS1.5	563	540	240	87
50TS1.5(F)	563	547	240	87
80TS1.5	563	540	240	87
80TS1.5(F)	563	547	240	87
50TS2.2	613	590	240	87
50TS2.2(F)	613	597	240	87
● 80TS2.2	613	590	240	87
80TS2.2(F)	613	597	240	87
50TS3.7	515	591	300	76
50TS3.7(F)	515	591	300	76
80TS3.7	515	616	300	76

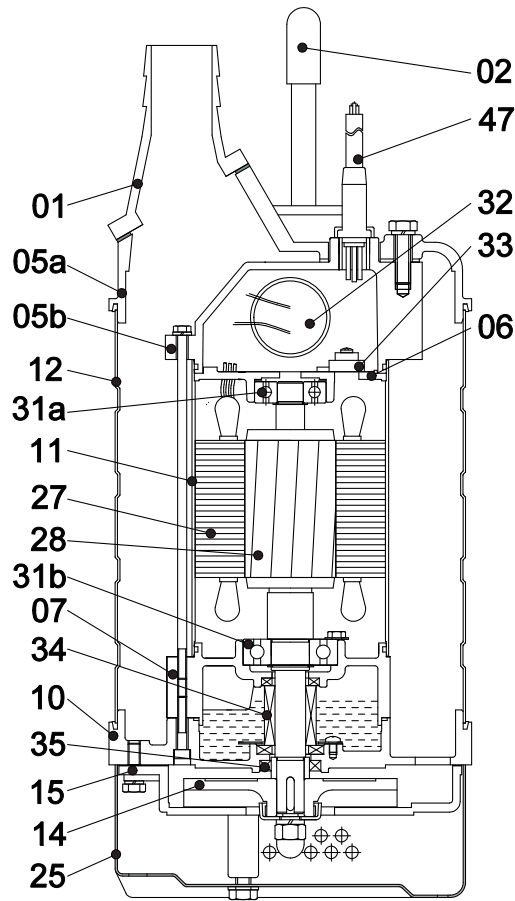
Model	H	B	Ømax	W1
80TS3.7(F)	555	631	300	76
100TS3.7	555	656	300	76
100TS3.7(F)	565	641	300	76
80TS5.5	565	641	300	76
80TS5.5(F)	565	666	300	76
100TS5.5	605	681	300	76
100TS5.5(F)	605	706	300	76
100TS7.5	700	810	355	142
150TS7.5	700	810	355	142
100TS11	745	855	355	142
150TS11	745	855	355	142

B: The height from pump's bottom to outlet

H: The height from pump's bottom to handle's top

DIMENSION DRAWING
TYPE: SUBMERSIBLE DRAINAGE PUMP

MODEL: 80TS2.2



Item No.	Part name	Material
01	Hose coupling	AISI304SS
02	Handle	Rubber&steel
05a	Upper cover	AISI304SS
05b	Upper cover	AISI304SS
06	Up-bearing house	AISI304SS
07	Bearing house	AISI304SS
10	Seal bracket	AISI304SS
11	Motor casing	Stainless steel
12	Outer casing	AISI304SS
14	Impeller	AISI304SS
15	Diffuser	AISI304SS
25	Strainer	AISI304SS
27	Stator	
28	Rotor	Shaft: AISI420SS
31a	Bearing	Ball bearing
31b	Bearing	Ball bearing
32	Capacitor	(Single phase only)*
33	Motor protector	
34	Mechanical seal	Sic-Sic/ Carbon-Sic (≤2.2 kW); Sic-Sic/Sic-Sic (3.7-5.5 kW)
35	Oil seal	
47	Cable	Length 15 m H07RN-F

*- 1,5 kW pumps can be manufactured 220V on request

Specifications can be changed without notice

Solidpump Europe SIA

Uriekstes iela 14a
 Rīga, LV-1005
 LATVIA

Tel.: + 371 66164228
 E-mail: info@solidpump.com
 www.solidpump.com

SOLIDPUMP EUROPE SIA